

Parts List

ITEM	QTY	PART #	DESCRIPTION
1	1	A02411	BEARING
2	1	A02705A	VALVEBODY, 316ss
3	1	A03701	CAP
4	1	A03706	COVER
5	1	A05401-140	ECCENTRIC
6	1	A08702	HOUSING
7	1	A08703A	HEAD, 316ss
8	1	A13745	MOTOR
9	1	A14401	COUNTERWEIGHT
10	1	A16701	PLATE, 316ss
11	1	A18402	TOLERANCE RING
12	1	A18701	CONROD
13	1	A19013	SCREW
14	1	A19021	SCREW
15	4	A19405A	SCREW
16	1	A19701A	PLATE SCREW, 316ss
17	8	A19718	SCREW
18	1	A19744	SPACER
19	1	A19745	CON ROD SPACER
20	4	A23402	LOCK WASHER
21	1	A23702	LOCK WASHER
22	1	*A04711	DIAPHRAGM, TEFLON
23	1	*A07701	GASKET, TEFLON
24	1	*A23461	WASHER
25	1	*A23701	WASHER

*RECOMMENDED SPARE PARTS KITS

DIAPHRAGM KITS	
11706	TEFLON/VITON
11711	2-PLY TEFLON

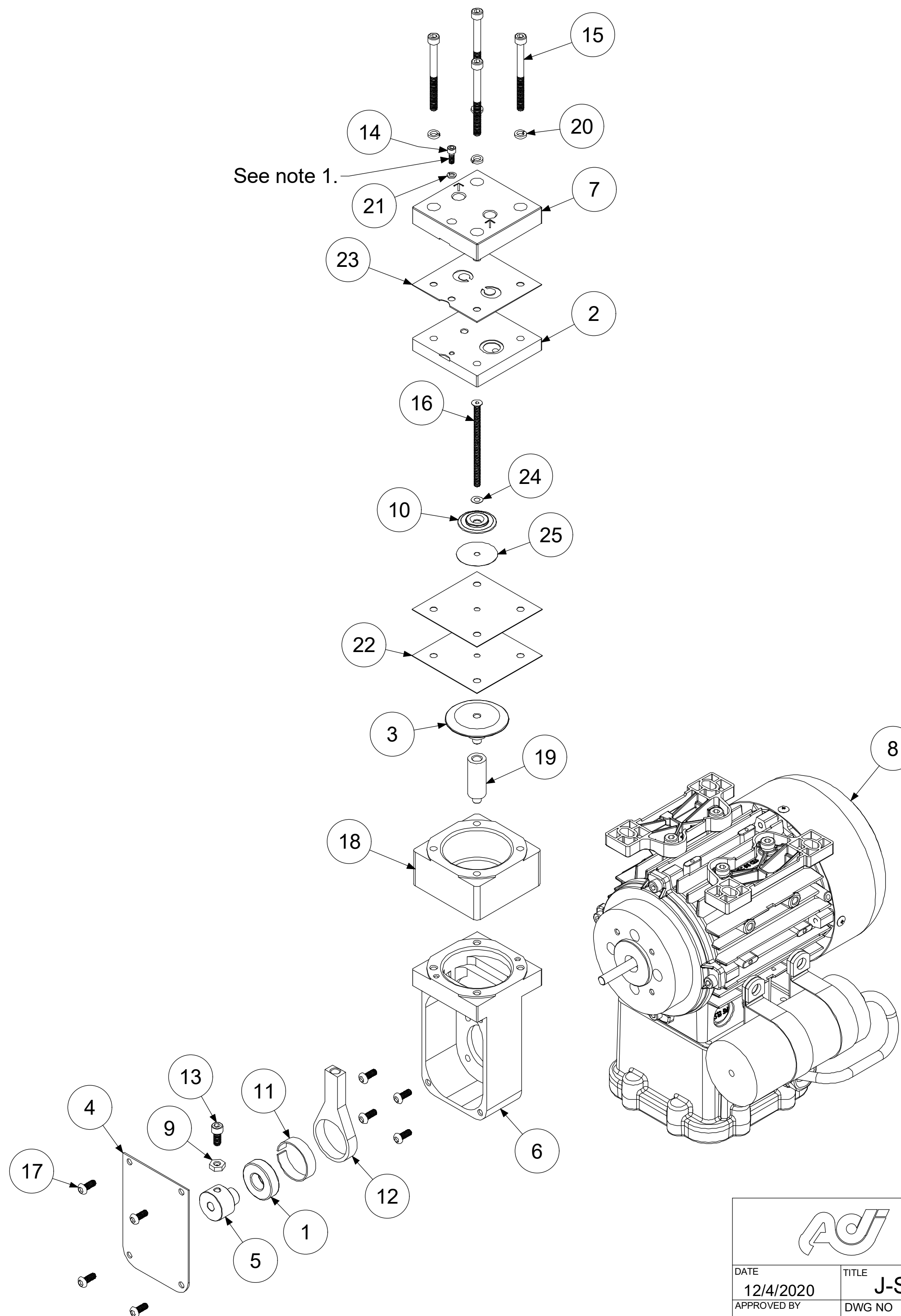
INCLUDES ITEMS 22-25

Notes:

1. Do not apply Loctite to A19021 screw.
2. The maximum eccentric size to be used with this pump is A05401-140.

ALTERNATE PARTS LIST	
A04709	DIAPHRAGM - TEFLON/VITON
A04711	DIAPHRAGM - 2-PLY TEFLON
A07701	GASKET - TEFLON
A07705	GASKET - VITON
A13745	MOTOR - 230V 50/60HZ 1PH
A13746	MOTOR - 115V 50/60HZ 1PH
A13747	MOTOR - 230/400V 50HZ 3PH 265/460V 60HZ 3PH

ADC-152 12/04/20



		AIR DIMENSIONS INC. DEERFIELD BEACH, FL. USA 33442 WWW.AIRDIMENSIONS.COM	
DATE	12/4/2020	TITLE	J-Series ATEX Pump with Spacer
APPROVED BY	TG	DWG NO	Jxx1-Fx-Gxx-VZ
		MODEL #	Jxx1-Fx-Gxx-VZ
12/20 (2145)		SHEET 2 OF 2	