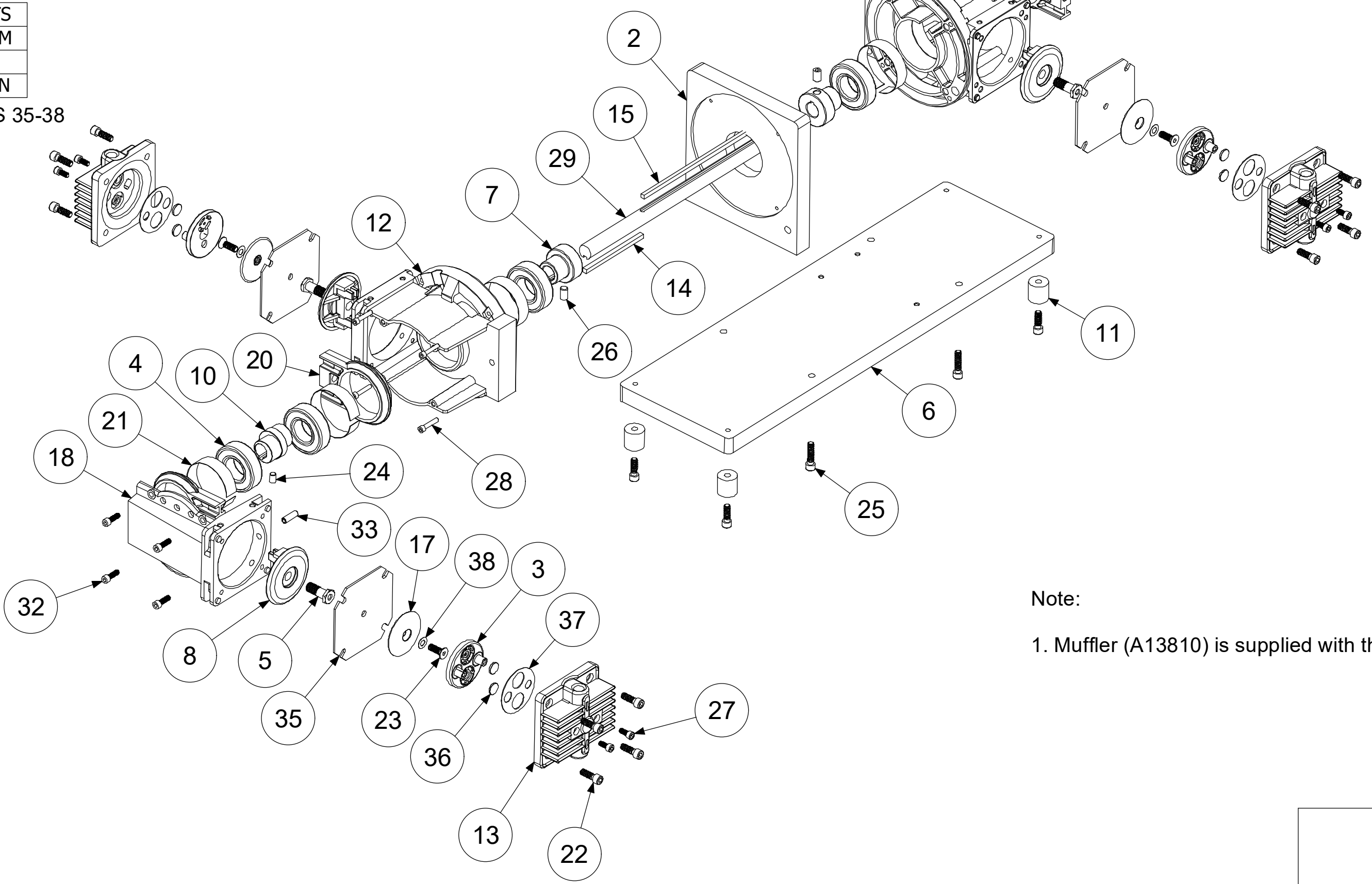


Parts List				Parts List			
ITEM	QTY	PART #	DESCRIPTION	ITEM	QTY	PART #	DESCRIPTION
1	1	A01003	ADAPTOR	20	4	A18001	CONN. ROD
2	1	A01033	ADAPTOR	21	6	A18002	TOLERANCE RING
3	4	A02005	VALVEBODY	22	20	A19005	SCREW
4	6	A02011	BEARING	23	4	A19007	PLATE SCREW
5	4	A02014	ROD BOLT	24	2	A19008	SET SCREW
6	1	A02031	BASE	25	4	A19009	SCREW
7	2	A02033S	BUSHING	26	2	A19010	SET SCREW
8	4	A03001	CAP	27	11	A19013	SCREW
9	1	A03038	COUPLING	28	8	A19018	HOUSING SCREW
10	2	A05006	ECCENTRIC	29	1	A19025	SHAFT
11	4	A06001	FOOT	30	4	A19026	SCREW, ADAPTOR
12	2	A08001	HOUSING	31	1	A19028	SHROUD
13	4	A08003	HEAD	32	8	A19031	2nd STAGE SCREW
14	1	A11504	KEY	33	2	A19050	SPRING PIN
15	1	A11505	KEY	34	3	A23302	WASHER
16	1	A13010	AIR MOTOR	35	4	*A04001	DIAPHRAGM
17	4	A16001	PLATE-DIAPH.	36	8	*A04004	DISC-VALVE
18	1	A16008	2nd STAGE	37	4	*A07001	GASKET
19	1	A16008S	2nd STAGE	38	4	*A23001	WASHER

***RECOMMENDED SPARE PARTS KITS**

DIAPHRAGMS KITS	
11005	TEFLON/EPDM
11007	VITON
11011	3-PLY TEFLON

INCLUDES ITEMS 35-38



Note:
1. Muffler (A13810) is supplied with the motor.

ECCENTRIC	CONNECTING ROD
.275	A18001-275
.250	A18001-250
.060 to .222	A18001

ADC-119 07/23/20

ALTERNATE AND OPTIONAL PARTS	
PART #	DESCRIPTION
A02005	VALVEBODY - 316ss
A02006	VALVEBODY - ALUM
A02009	VALVEBODY - 316ss TFE CO
A02010	VALVEBODY - ALUM TFE CO
A02023	VALVEBODY - HAST C
A02024	VALVEBODY - HAST C TFE CO
A02075	VALVEBODY - ELECTRO POLISH
A02090	VALVEBODY - HAST C SILCONERT
A02095	VALVEBODY - SILCONERT
A02098	VALVEBODY - DURSAN

A04001	DIAPHRAGM - TEFLON/EPDM
A04003	DIAPHRAGM - VITON
A04011	DIAPHRAGM - 3 PLY TEFLON

A08003	HEAD - 316ss
A08004	HEAD - ALUM
A08007	HEAD - 316ss TFE CO
A08008	HEAD - ALUM TFE CO
A08020	HEAD - HAST C
A08021	HEAD - HAST C TFE CO
A08053	HEAD - 316ss RINGED
A08073	HEAD - ELECTRO POLISH
A08090	HEAD - HAST C SILCONERT
A08093	HEAD - SILCONERT
A08094	HEAD - SILCONERT RINGED
A08098	HEAD - DURSAN

A16001	PLATE - 316ss
A16002	PLATE - ALUM
A16005	PLATE - 316ss TFE CO
A16006	PLATE - ALUM TFE CO
A16020	PLATE - HAST C
A16021	PLATE - HAST C TFE CO
A16071	PLATE - ELECTRO POLISH
A16090	PLATE - HAST C SILCONERT
A16091	PLATE - SILCONERT
A16098	PLATE - DURSAN

A19007	PLATE SCREW - 316ss
A19011	PLATE SCREW - 316ss TFE CO
A19015	PLATE SCREW - HAST C
A19020	PLATE SCREW - HAST C TFE CO
A19077	PLATE SCREW - ELECTRO POLISH
A19090	PLATE SCREW - HAST C SILCONERT
A19097	PLATE SCREW - SILCONERT
A19098	PLATE SCREW - DURSAN

A07001	GASKET - CARBON TEFLON
A07005	GASKET - VITON
A07906	GASKET - EPDM

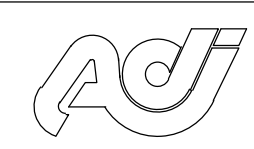
A04004	DISC-VALVE - CARBON TEFLON
A04007	DISC-VALVE - 416ss

A23001	TEFLON WASHER
A23502	TEFZEL WASHER

A02011	BEARING - STANDARD
A02012	BEARING - HIGH TEMPERATURE

ADC-153 03/31/21

ALTERNATE HI-TEMP COUPLING	
PART #	DESCRIPTION
A03023	COUPLING, HI-TEMP



AIR DIMENSIONS INC.
DEERFIELD BEACH, FL. USA 33442
WWW.AIRDIMENSIONS.COM

DATE	TITLE		
10/10/2001	R-Series Quad Head Air Driven Pump		
APPROVED BY	DWG NO	MODEL #	
FDM	Rxx4-xx-DX0	Rxx4-xx-DX0	

MOTOR DESCRIPTION:
A13010 1.7HP TENV Air Motor

06/21 (2180)