

Parts List

ITEM	QTY	PART #	DESCRIPTION
1	1	A02001	BASE
2	2	A02005	VALVEBODY
3	3	A02011	BEARING
4	2	A02014	ROD BOLT
5	1	A02033	BUSHING
6	2	A03001	CAP
7	1	A03003	CLAMP
8	1	A05002	ECCENTRIC
9	4	A06001	FOOT
10	1	A08001	HOUSING
11	2	A08003	HEAD
12	1	A13001	MOTOR
13	4	A14001	CAP NUT
14	2	A16001	PLATE-DIAPH.
15	1	A16008	2nd STAGE
16	2	A18001	CONN. ROD
17	3	A18002	TOLERANCE RING
18	12	A19005	SCREW
19	2	A19007	PLATE SCREW
20	1	A19008	SET SCREW
21	1	A19010	SET SCREW
22	4	A19013	SCREW
23	4	A19031	2nd STAGE SCREW
24	1	A19050	SPRING PIN
25	4	A23004	WASHER
26	2	*A04001	DIAPHRAGM
27	4	*A04004	DISC-VALVE
28	2	*A07001	GASKET
29	2	*A23001	WASHER

\*RECOMMENDED SPARE PARTS KITS

DIAPHRAGMS KITS	
11005	TEFLON/EPDM
11007	VITON
11011	3-PLY TEFLON

INCLUDES ITEMS 26-29

MOTOR DESCRIPTION:

A13001 1/8HP 110-115/220-230V 50/60Hz 1Ph

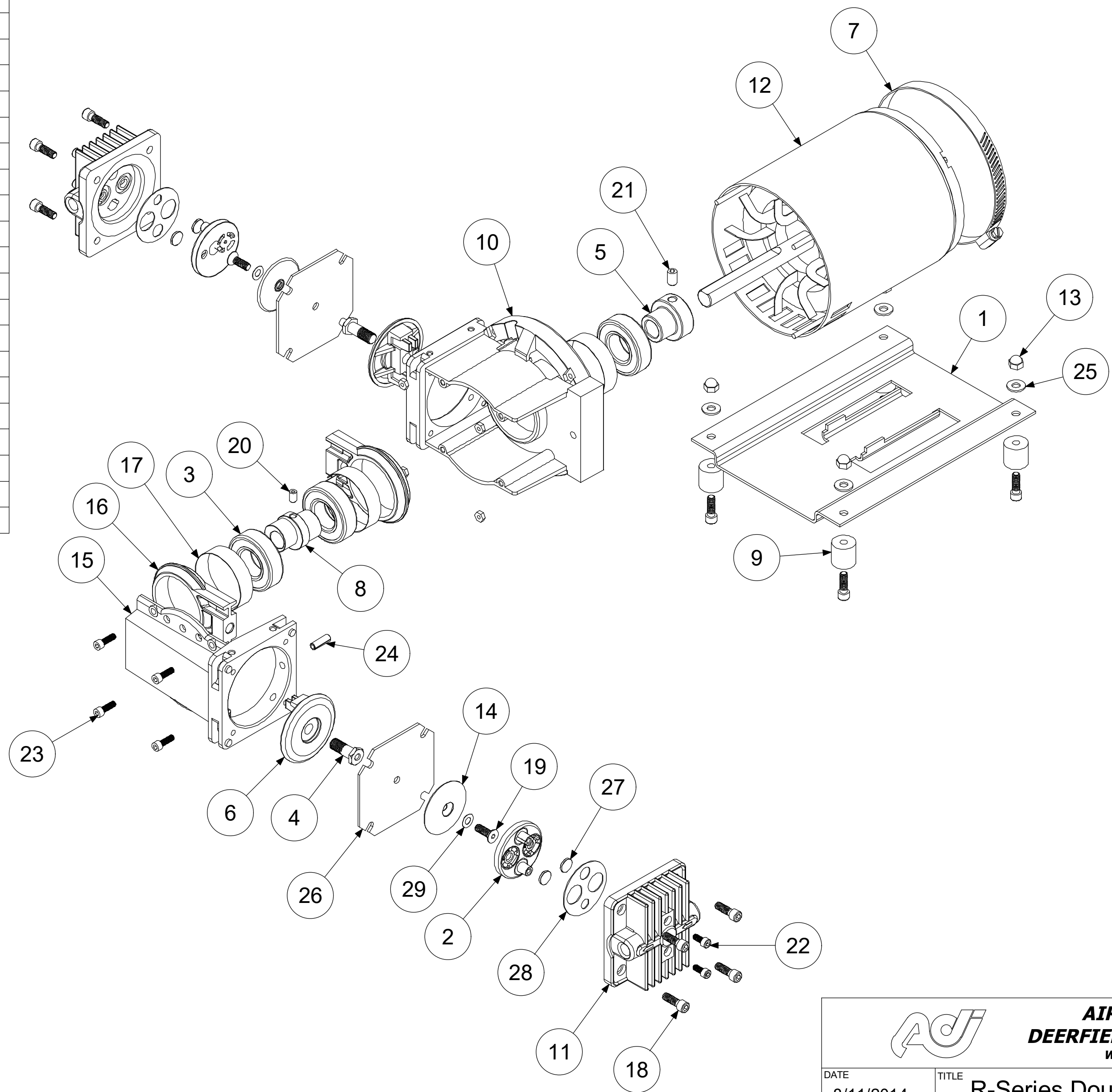
ECCENTRIC	CONNECTING ROD
.275	A18001-275
.250	A18001-250
.060 to .222	A18001


ADC-119 07/23/20

POWER CORD OPTIONS	
PART #	DESCRIPTION
A03019	HUBBLE CONNECTOR
A03045	POWER CORD, 115V
A03046	POWER CORD, 230V

ALTERNATE AND OPTIONAL PARTS	
PART #	DESCRIPTION
A02005	VALVEBODY - 316ss
A02006	VALVEBODY - ALUM
A02009	VALVEBODY - 316ss TFE CO
A02010	VALVEBODY - ALUM TFE CO
A02023	VALVEBODY - HAST C
A02024	VALVEBODY - HAST C TFE CO
A02075	VALVEBODY - ELECTRO POLISH
A02090	VALVEBODY - HAST C SILCONERT
A02095	VALVEBODY - SILCONERT
A02098	VALVEBODY - DURSAN
A04001	DIAPHRAGM - TEFLON/EPDM
A04003	DIAPHRAGM - VITON
A04011	DIAPHRAGM - 3 PLY TEFLON
A08003	HEAD - 316ss
A08004	HEAD - ALUM
A08007	HEAD - 316ss TFE CO
A08008	HEAD - ALUM TFE CO
A08020	HEAD - HAST C
A08021	HEAD - HAST C TFE CO
A08053	HEAD - 316ss RINGED
A08073	HEAD - ELECTRO POLISH
A08090	HEAD - HAST C SILCONERT
A08093	HEAD - SILCONERT
A08094	HEAD - SILCONERT RINGED
A08098	HEAD - DURSAN
A16001	PLATE - 316ss
A16002	PLATE - ALUM
A16005	PLATE - 316ss TFE CO
A16006	PLATE - ALUM TFE CO
A16020	PLATE - HAST C
A16021	PLATE - HAST C TFE CO
A16071	PLATE - ELECTRO POLISH
A16090	PLATE - HAST C SILCONERT
A16091	PLATE - SILCONERT
A16098	PLATE - DURSAN
A19007	PLATE SCREW - 316ss
A19011	PLATE SCREW - 316ss TFE CO
A19015	PLATE SCREW - HAST C
A19020	PLATE SCREW - HAST C TFE CO
A19077	PLATE SCREW - ELECTRO POLISH
A19090	PLATE SCREW - HAST C SILCONERT
A19097	PLATE SCREW - SILCONERT
A19098	PLATE SCREW - DURSAN
A07001	GASKET - CARBON TEFLON
A07005	GASKET - VITON
A07906	GASKET - EPDM
A04004	DISC-VALVE - CARBON TEFLON
A04007	DISC-VALVE - 416ss
A23001	TEFLON WASHER
A23502	TEFZEL WASHER

ADC-117 06/09/20





**AIR DIMENSIONS INC.**  
**DEERFIELD BEACH, FL. USA 33442**  
[WWW.AIRDIMENSIONS.COM](http://WWW.AIRDIMENSIONS.COM)

DATE 8/11/2014	TITLE R-Series Double Head Pump	
APPROVED BY FDM	DWG NO Rxx2-xx-AC5	MODEL # Rxx2-xx-AC5

06/21 (2184) SHEET 2 OF 2