

Parts List			
ITEM	QTY	PART #	DESCRIPTION
1	2	A01037	ADAPTOR, DBL. DIA.
2	1	A02001	BASE
3	2	A02005	VALVEBODY
4	3	A02011	BEARING
5	2	A02014	ROD BOLT
6	1	A02033	BUSHING
7	2	A03001	CAP
8	1	A03003	CLAMP
9	1	A05002	ECCENTRIC
10	4	A06001	FOOT

Parts List			
ITEM	QTY	PART #	DESCRIPTION
11	1	A08001	HOUSING
12	2	A08003	HEAD
13	1	A13001	MOTOR
14	4	A14001	CAP NUT
15	2	A16001	PLATE-DIAPH.
16	1	A16008	2nd STAGE
17	2	A18001	CONN. ROD
18	3	A18002	TOLERANCE RING
19	4	A19005	SCREW
20	1	A19008	SET SCREW
21	1	A19010	SET SCREW

Parts List			
ITEM	QTY	PART #	DESCRIPTION
22	4	A19013	SCREW
23	8	A19017A	SCREW
24	4	A19031	2nd STAGE SCREW
25	1	A19050	SPRING PIN
26	2	A19301	PLATE SCREW
27	4	A23004	WASHER
28	4	*A04001	DIAPHRAGM
29	4	*A04004	DISC-VALVE
30	2	*A07001	GASKET
31	2	*A23001	WASHER
32	4	*A23007	WASHER

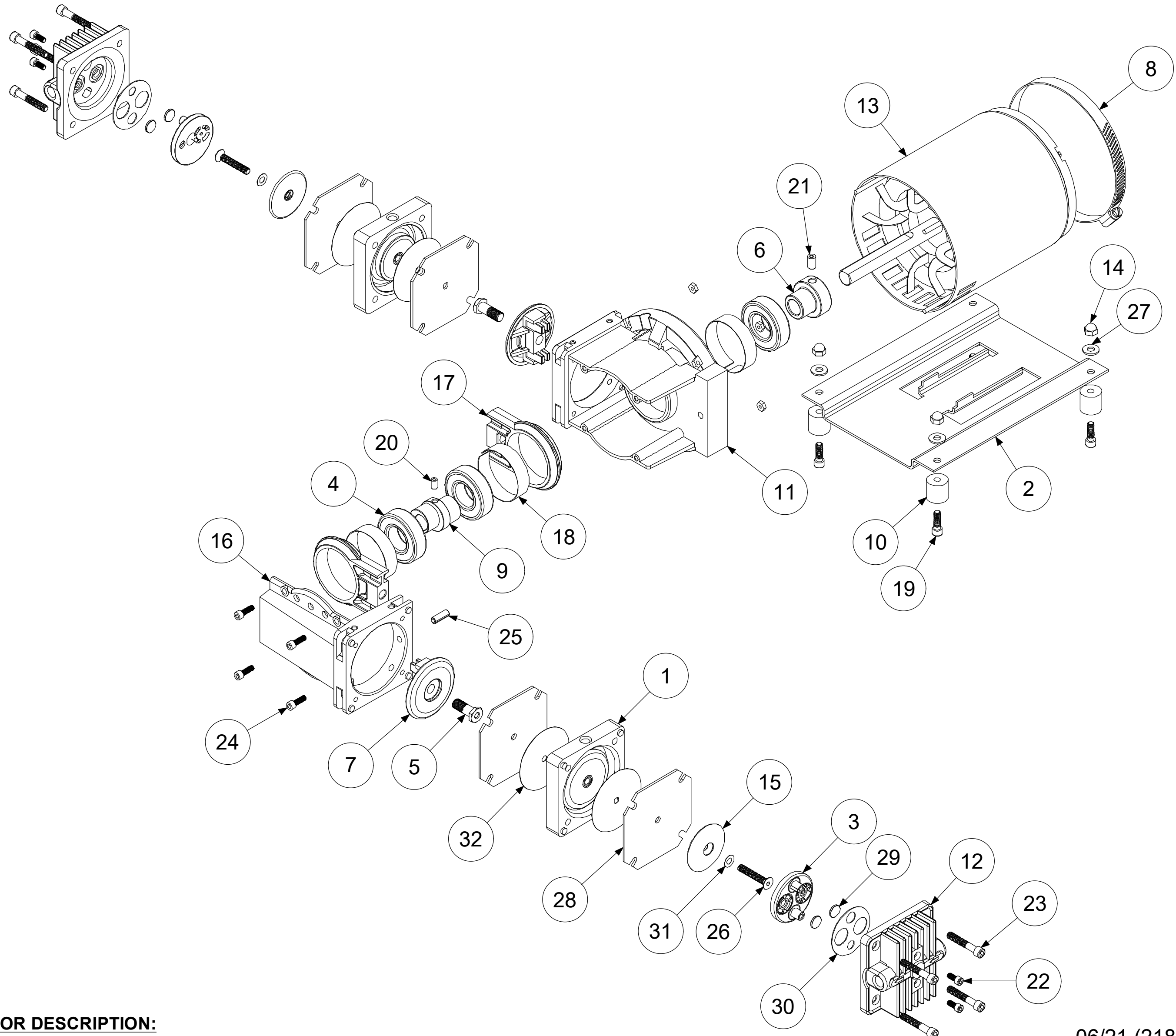
***RECOMMENDED SPARE PARTS KITS**

DIAPHRAGMS KITS	
11071	3-PLY TEFLON
11075	TEFLON/EPDM
11077	VITON

INCLUDES ITEMS 28-32


ALTERNATE AND OPTIONAL PARTS	
PART #	DESCRIPTION
A02005	VALVEBODY - 316ss
A02006	VALVEBODY - ALUM
A02009	VALVEBODY - 316ss TFE CO
A02010	VALVEBODY - ALUM TFE CO
A02023	VALVEBODY - HAST C
A02024	VALVEBODY - HAST C TFE CO
A02075	VALVEBODY - ELECTRO POLISH
A02095	VALVEBODY - SILCONERT
A02098	VALVEBODY - DURSAN
A04001	DIAPHRAGM - TEFLON/EPDM
A04003	DIAPHRAGM - VITON
A04011	DIAPHRAGM - 3 PLY TEFLON
A08003	HEAD - 316ss
A08004	HEAD - ALUM
A08007	HEAD - 316ss TFE CO
A08008	HEAD - ALUM TFE CO
A08020	HEAD - HAST C
A08021	HEAD - HAST C TFE CO
A08073	HEAD - ELECTRO POLISH
A08093	HEAD - SILCONERT
A08098	HEAD - DURSAN
A16001	PLATE - 316ss
A16002	PLATE - ALUM
A16005	PLATE - 316ss TFE CO
A16006	PLATE - ALUM TFE CO
A16020	PLATE - HAST C
A16021	PLATE - HAST C TFE CO
A16071	PLATE - ELECTRO POLISH
A16091	PLATE - SILCONERT
A16098	PLATE - DURSAN
A19301	PLATE SCREW - 316ss
A19328	PLATE SCREW - 316ss TFE CO
A19315	PLATE SCREW - HAST C
A19371	PLATE SCREW - ELECTRO POLISH
A19397	PLATE SCREW - SILCONERT
A19398	PLATE SCREW - DURSAN
A07001	GASKET - CARBON TEFLON
A07005	GASKET - VITON
A07906	GASKET - EPDM
A04004	DISC-VALVE - CARBON TEFLON
A04007	DISC-VALVE - 416ss
A23001	TEFLON WASHER
A23502	TEFZEL WASHER

ADC-126 10/30/20



POWER CORD OPTIONS	
PART #	DESCRIPTION
A03019	HUBBLE CONNECTOR
A03045	POWER CORD, 115V
A03046	POWER CORD, 230V

MOTOR DESCRIPTION:
A13001 1/8HP 110-115/220-230V 50/60Hz 1Ph



AIR DIMENSIONS INC.
DEERFIELD BEACH, FL. USA 33442
WWW.AIRDIMENSIONS.COM

DATE 10/3/2013	TITLE R-Series Double Diaphragm Pump
APPROVED BY FDM	DWG NO Rxx2-xx-AC5-D
	MODEL # Rxx2-xx-AC5-D

06/21 (2184) SHEET 2 OF 2