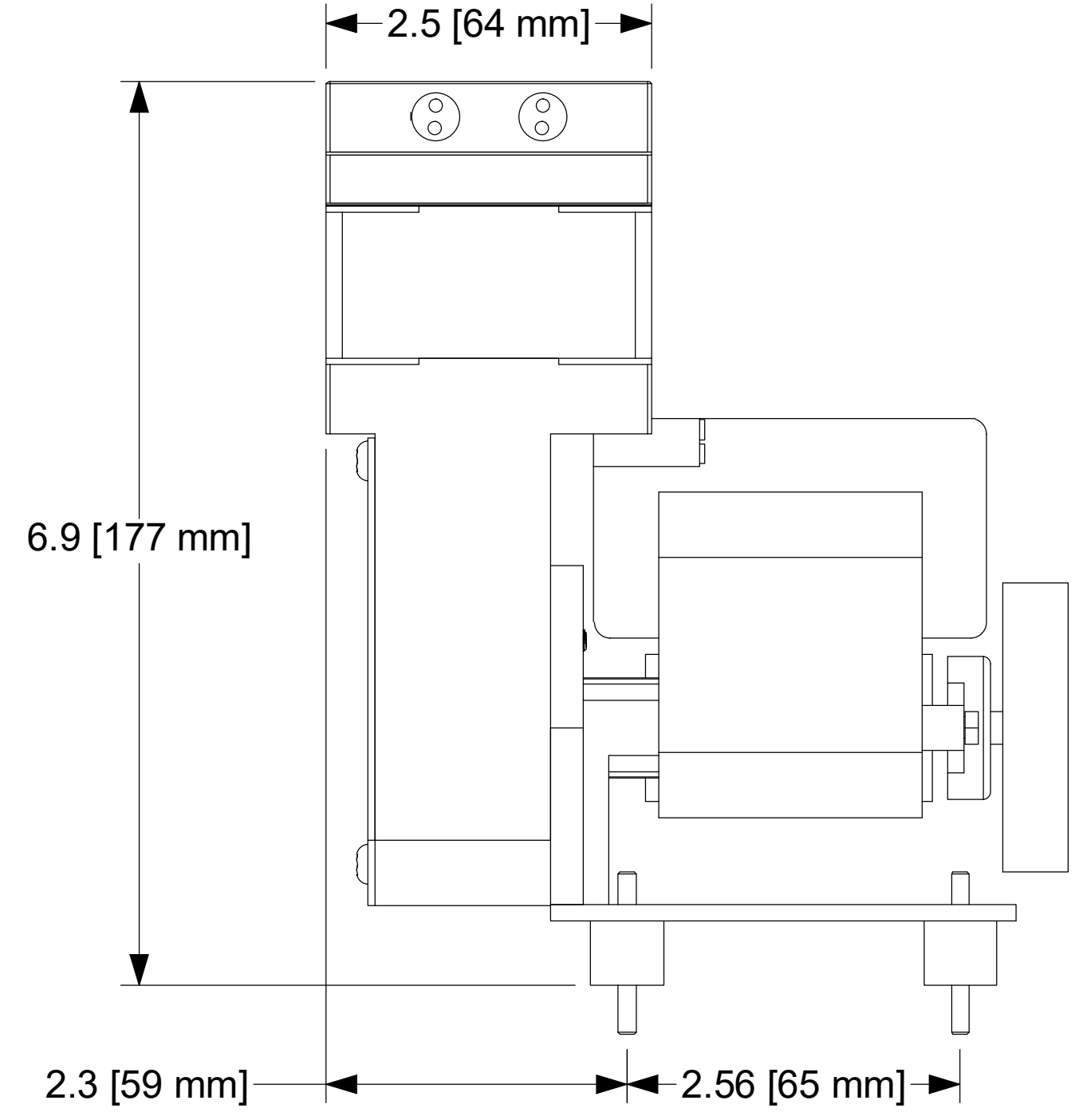
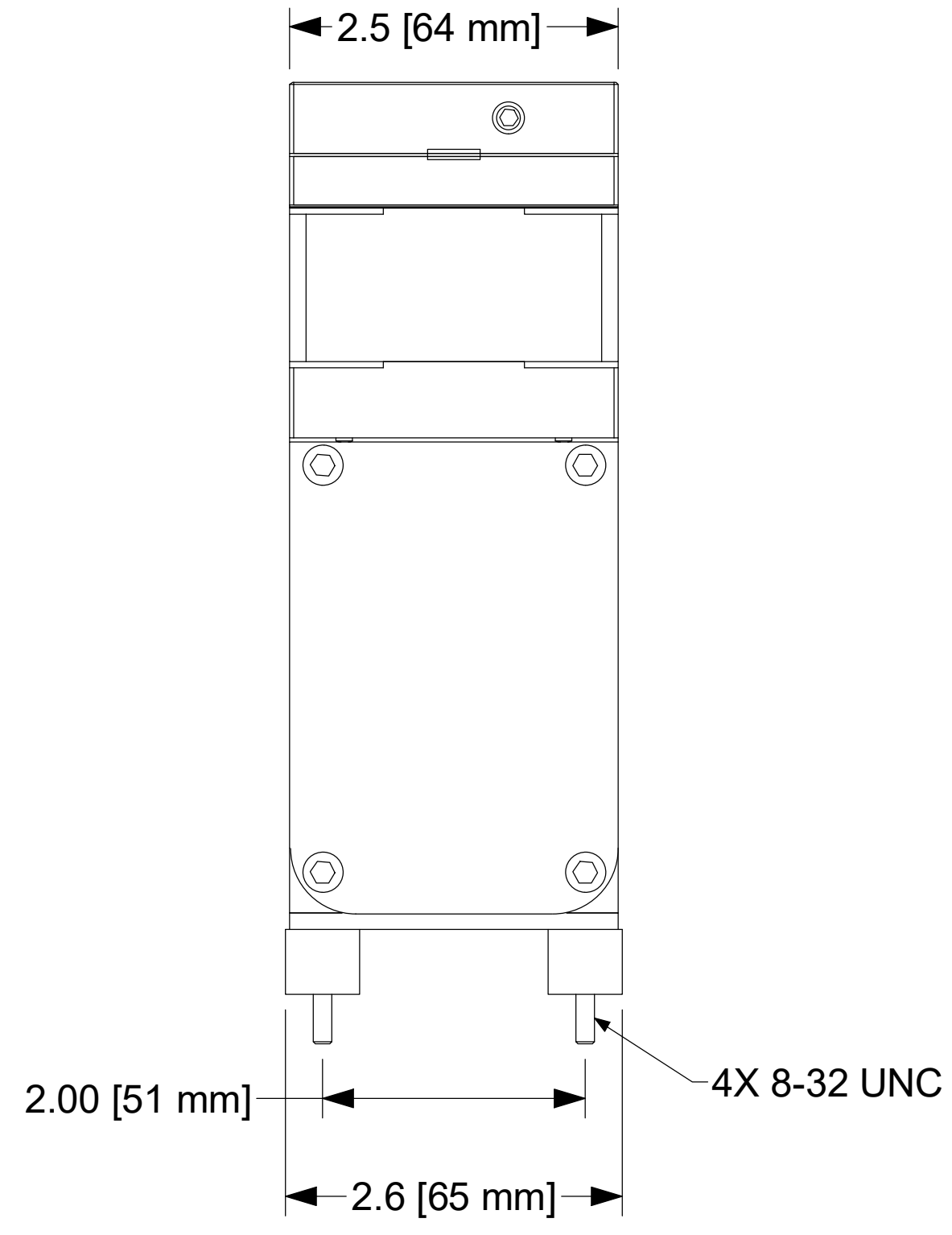
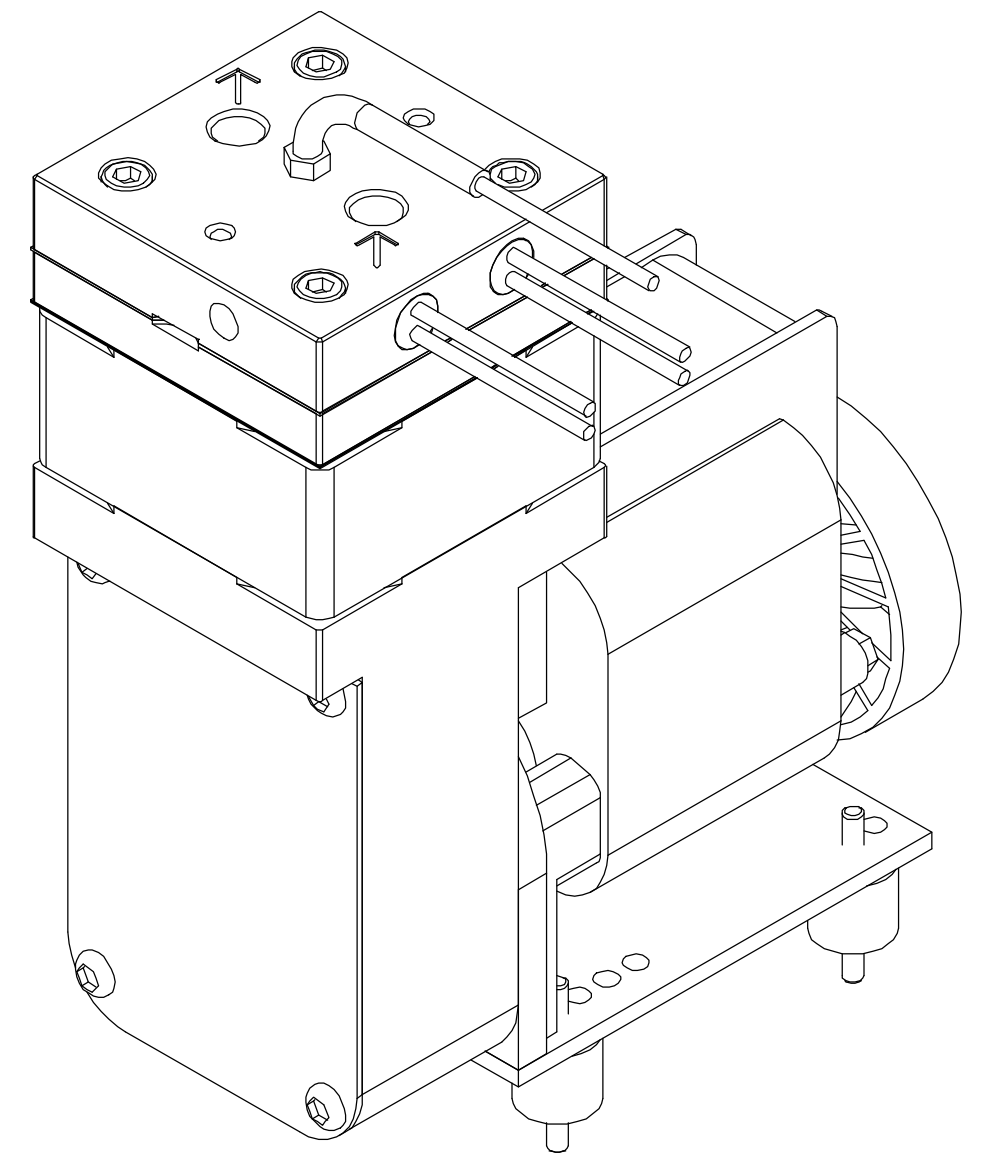



**Alternate mounting options.
(Pump shown without isolators.)**



		AIR DIMENSIONS INC. DEERFIELD BEACH, FL. USA 33442 <small>WWW.AIRDIMENSIONS.COM</small>	
		DATE 4/11/2019	TITLE J-Series Heated Pump
APPROVED BY FDM	DWG NO 10/20 (2131)	Jxx1-xx-Axx-M	Jxx1-xx-Axx-M