

Parts List			
ITEM	QTY	PART #	DESCRIPTION
1	1	A01042	ADAPTOR PLATE
2	1	A02002	BASE
3	2	A02005	VALVEBODY
4	3	A02011	BEARING
5	2	A02014	ROD BOLT
6	4	A02018A	BOLT-MOTOR
7	2	A03001	CAP
8	1	A05002	ECCENTRIC
9	4	A06001	FOOT
10	1	A08001	HOUSING
11	2	A08003	HEAD
12	1	A13153	MOTOR

Parts List			
ITEM	QTY	PART #	DESCRIPTION
13	4	A14001	CAP NUT
14	4	A14301	NUT
15	2	A16001	PLATE-DIAPH.
16	1	A16008	2nd STAGE
17	2	A18001	CONN. ROD
18	3	A18002	TOLERANCE RING
19	12	A19005	SCREW
20	2	A19007	PLATE SCREW
21	3	A19008	SET SCREW
22	4	A19013	SCREW
23	1	A19014	SHAFT EXT.
24	4	A19018	HOUSING SCREW

Parts List			
ITEM	QTY	PART #	DESCRIPTION
25	4	A19024	SCREW
26	4	A19031	2nd STAGE SCREW
27	1	A19050	SPRING PIN
28	8	A23004	WASHER
29	2	*A04001	DIAPHRAGM
30	4	*A04004	DISC-VALVE
31	2	*A07001	GASKET
32	2	*A23001	WASHER

ECCENTRIC CONNECTING ROD		
.275	A18001-275	
.250	A18001-250	
.060 to .222	A18001	

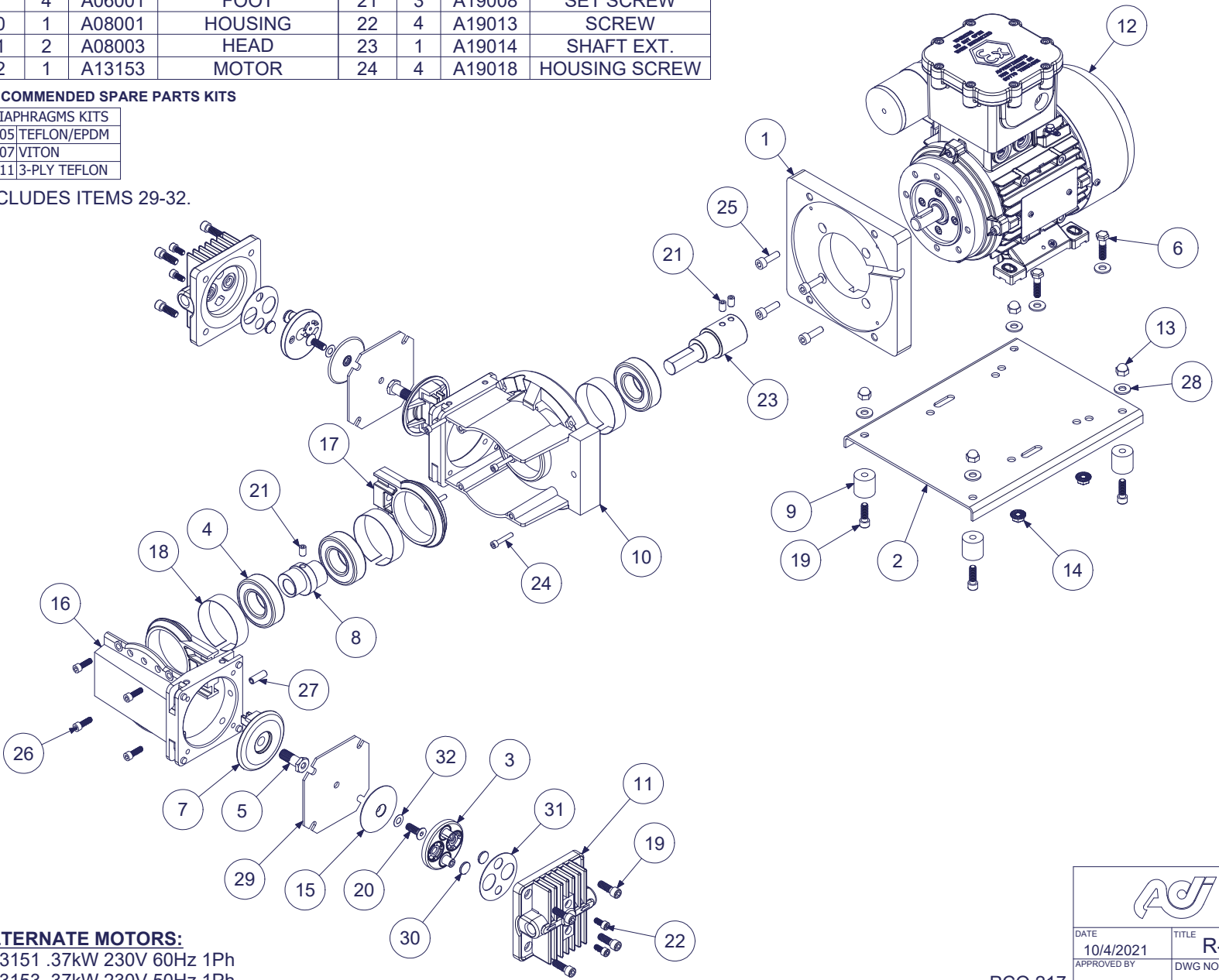
ADC-119 07/23/20

ALTERNATE AND OPTIONAL PARTS	
PART #	DESCRIPTION
A02005	VALVEBODY - 316ss
A02006	VALVEBODY - ALUM
A02009	VALVEBODY - 316ss TFE CO
A02010	VALVEBODY - ALUM TFE CO
A02023	VALVEBODY - HAST C
A02024	VALVEBODY - HAST C TFE CO
A02075	VALVEBODY - ELECTRO POLISH
A02090	VALVEBODY - HAST C SILCONERT
A02095	VALVEBODY - SILCONERT
A02098	VALVEBODY - DURSAN
A04001	DIAPHRAGM - TEFLON/EPDM
A04003	DIAPHRAGM - VITON
A04011	DIAPHRAGM - 3 PLY TEFLON
A08003	HEAD - 316ss
A08004	HEAD - ALUM
A08007	HEAD - 316ss TFE CO
A08008	HEAD - ALUM TFE CO
A08020	HEAD - HAST C
A08021	HEAD - HAST C TFE CO
A08053	HEAD - 316ss RINGED
A08073	HEAD - ELECTRO POLISH
A08090	HEAD - HAST C SILCONERT
A08093	HEAD - SILCONERT
A08094	HEAD - SILCONERT RINGED
A08098	HEAD - DURSAN
A16001	PLATE - 316ss
A16002	PLATE - ALUM
A16005	PLATE - 316ss TFE CO
A16006	PLATE - ALUM TFE CO
A16020	PLATE - HAST C
A16021	PLATE - HAST C TFE CO
A16071	PLATE - ELECTRO POLISH
A16090	PLATE - HAST C SILCONERT
A16091	PLATE - SILCONERT
A16098	PLATE - DURSAN
A19007	PLATE SCREW - 316ss
A19011	PLATE SCREW - 316ss TFE CO
A19015	PLATE SCREW - HAST C
A19020	PLATE SCREW - HAST C TFE CO
A19077	PLATE SCREW - ELECTRO POLISH
A19090	PLATE SCREW - HAST C SILCONERT
A19097	PLATE SCREW - SILCONERT
A19098	PLATE SCREW - DURSAN
A07001	GASKET - CARBON TEFLON
A07005	GASKET - VITON
A07906	GASKET - EPDM
A04004	DISC-VALVE - CARBON TEFLON
A04007	DISC-VALVE - 416ss
A23001	TEFLON WASHER
A23502	TEFZEL WASHER


**\*RECOMMENDED SPARE PARTS KITS**

DIAPHRAGMS KITS	
11005	TEFLON/EPDM
11007	VITON
11011	3-PLY TEFLON

INCLUDES ITEMS 29-32.



**ALTERNATE MOTORS:**  
A13151 .37kW 230V 60Hz 1Ph  
A13153 .37kW 230V 50Hz 1Ph



**AIR DIMENSIONS INC.**  
**DEERFIELD BEACH, FL. USA 33442**  
[WWW.AIRDIMENSIONS.COM](http://WWW.AIRDIMENSIONS.COM)

DATE 10/4/2021		TITLE R-Series DbI. ATEX/IECEx Pump	
APPROVED BY	DWG NO Rxx2-xx-YBx	MODEL # Rxx2-xx-YBx	SHEET 2 OF 2

PCO 217