

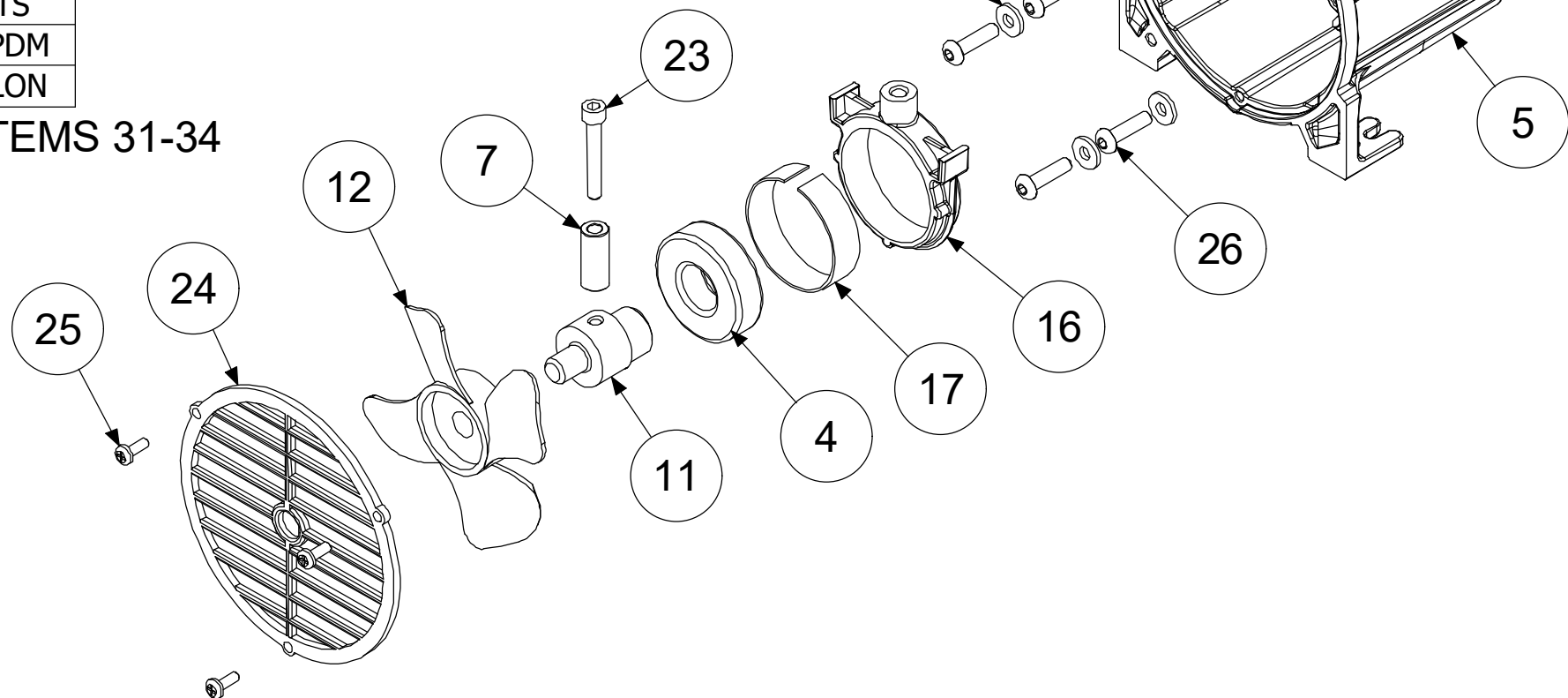
Parts List

ITEM	QTY	PART NUMBER	DESCRIPTION
1	1	A01311	ADAPTOR
2	1	A02005	VALVEBODY
3	1	A02310	BUSHING
4	2	A02311	BEARING
5	1	A02322	HOUSING
6	1	A03301	CAP
7	1	A03302	CWEIGHT
8	1	A03303	COVER
9	1	A03317	CAPACITOR
10	1	A04351	WIRING DIAGRAM
11	1	A05305	ECCENTRIC
12	1	A06310	FAN
13	1	A08003	HEAD
14	1	A13311	Mini TENV
15	1	A16001	PLATE-DIAPH.
16	1	A18301	CONN. ROD
17	2	A18302	TOL. RING
18	4	A19005	SCREW
19	6	A19013	SCREW
20	1	A19301	PLATE SCREW
21	1	A19306	SCREW
22	1	A19308	SET SCREW
23	1	A19309	SCREW
24	1	A19321	SCREEN
25	3	A19322	SCREW
26	3	A19326	SCREW
27	1	A19326A	SCREW
28	4	A19327	SCREW-COVER
29	4	A23302	WASHER
30	1	LAB-UL-A13310-1	LABEL UL
31	2	*A04004	DISC-VALVE
32	1	*A04301	DIAPHRAGM
33	1	*A07001	GASKET
34	1	*A23001	WASHER

*RECOMMENDED SPARE PARTS KITS

DIAPHRAGM KITS	
11305	TEFLON/EPDM
11311	2-PLY TEFLON

INCLUDES ITEMS 31-34

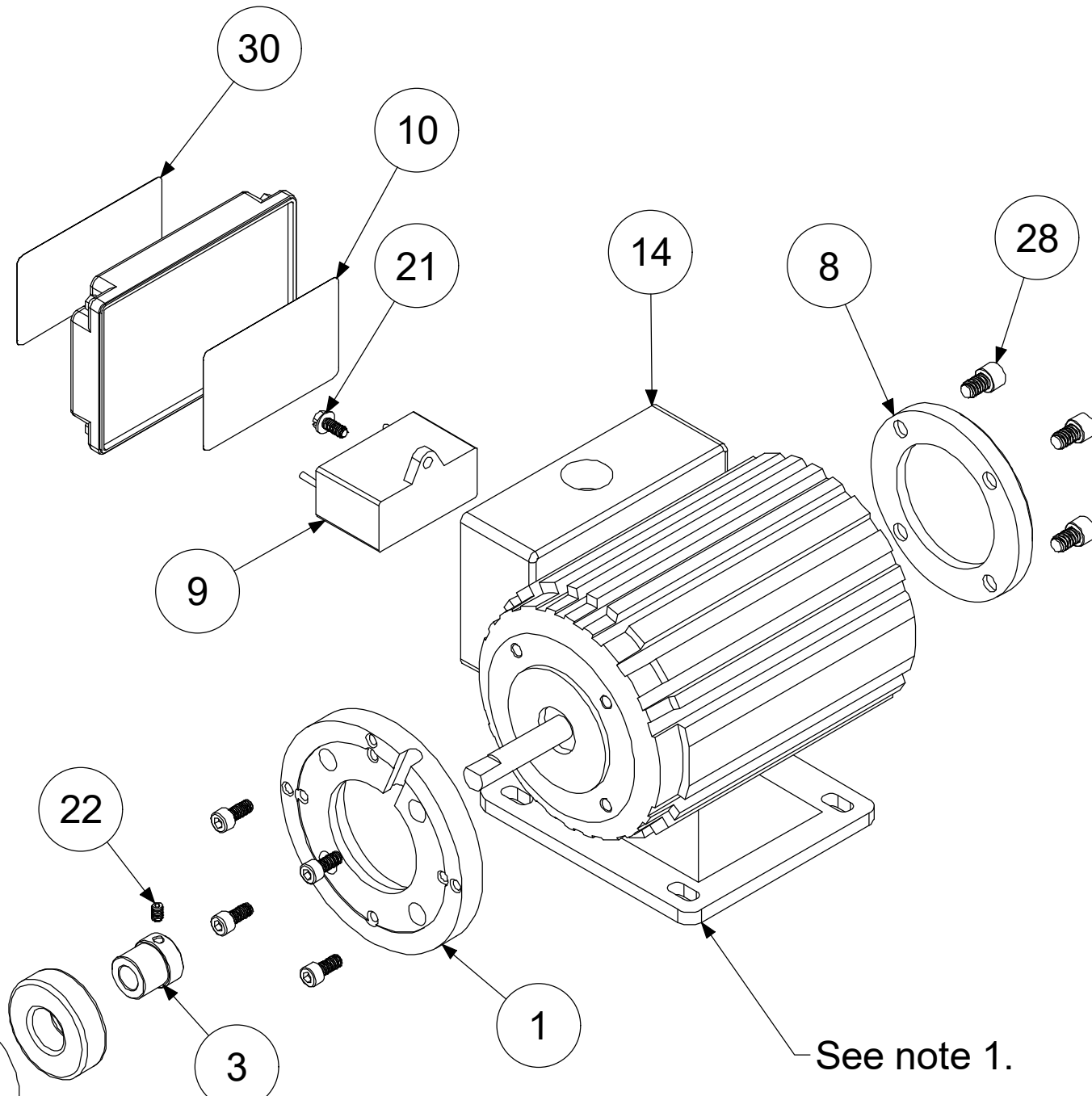


VOLTAGE	CAPACITOR	UL LABEL
115V	A03317 (12uF)	LAB-UL-A13310-1
230V	A03316 (3uF)	LAB-UL-A13310-2

ADC-157 04/22/20

ALTERNATE AND OPTIONAL PARTS	
PART #	DESCRIPTION
A02005	VALVEBODY - 316ss
A02006	VALVEBODY - ALUM
A02009	VALVEBODY - 316ss TFE CO
A02010	VALVEBODY - ALUM TFE CO
A02023	VALVEBODY - HAST C
A02024	VALVEBODY - HAST C TFE CO
A02075	VALVEBODY - ELECTRO POLISH
A02095	VALVEBODY - SILCONERT
A02098	VALVEBODY - DURSAN
A04004	DISC-VALVE - CARBON TEFLON
A04007	DISC-VALVE - 416ss
A04301	DIAPHRAGM - TEFLON/EPDM
A04311	DIAPHRAGM - 2 PLY TEFLON
A07001	GASKET - CARBON TEFLON
A07005	GASKET - VITON
A07906	GASKET - EPDM
A08003	HEAD - 316ss
A08004	HEAD - ALUM
A08007	HEAD - 316ss TFE CO
A08008	HEAD - ALUM TFE CO
A08020	HEAD - HAST C
A08021	HEAD - HAST C TFE CO
A08073	HEAD - ELECTRO POLISH
A08093	HEAD - SILCONERT
A08098	HEAD - DURSAN
A16001	PLATE - 316ss
A16002	PLATE - ALUM
A16005	PLATE - 316ss TFE CO
A16006	PLATE - ALUM TFE CO
A16020	PLATE - HAST C
A16021	PLATE - HAST C TFE CO
A16071	PLATE - ELECTRO POLISH
A16091	PLATE - SILCONERT
A16098	PLATE - DURSAN
A19301	PLATE SCREW - 316ss
A19328	PLATE SCREW - 316ss TFE CO
A19315	PLATE SCREW - HAST C
A19371	PLATE SCREW - ELECTRO POLISH
A19397	PLATE SCREW - SILCONERT
A19398	PLATE SCREW - DURSAN

ADC-120 07/21/21



See note 1.

Note:

1. Refer to WI-10-4 for additional assembly instructions.

MOTOR DESCRIPTION:

A13311 1/20HP 115V 50/60Hz 1Ph (12uF) or 230V 50/60Hz 1Ph (3uF)

AIR DIMENSIONS INC.
DEERFIELD BEACH, FL. USA 33442
WWW.AIRDIMENSIONS.COM

DATE	TITLE		
11/1/2018	M-Series Single Head Div. 2 Pump		
APPROVED BY	DWG NO	MODEL #	
FDM	Mxx1-xx-Wx5	Mxx1-xx-Wx5	
			SHEET 2 OF 2

07/21 (2124)