		AIR DIMENSIONS INC. DEERFIELD BEACH, FL. USA 33442 WWW.AIRDIMENSIONS.COM	
DATE	9/8/2022	TITLE	H-Series Double Head ATEX Pump
APPROVED BY	FDM	DWG NO	H302-Fx-Qxx
		MODEL #	H302-Fx-Qxx
09/22 (2246)		SHEET 1 OF 2	

Parts List				Parts List			
ITEM	QTY	PART #	DESCRIPTION	ITEM	QTY	PART #	DESCRIPTION
1	1	A01645	ADAPTOR PLATE	33	6	A19651	ROLL PIN
2	2	A02017	ROD BOLT	34	4	A23004	WASHER
3	1	A02030	BASE	35	2	*A04601	DIAPHRAGM
4	4	A02038	BOLT-MOTOR	36	2	*A07601	GASKET
5	1	A02610	BEARING	37	4	*A22002	4-40 SCREW
6	2	A02611	BEARING	38	4	*A22601	VALVE
7	2	A03601	CAP	39	2	*A22605	VALVE STOP
8	1	A03602	COUNTERWEIGHT	40	2	*A23001	WASHER
9	1	A05601	ECCENTRIC				
10	4	A06001	FOOT				
11	1	A06606	ACCESS PLUG				
12	1	A08601	HOUSING				
13	2	A08603	HEAD				
14	1	A13150A	MOTOR				
15	4	A14001	CAP NUT				
16	4	A14009	NUT				
17	2	A16601	DIAPH. PLATE				
18	1	A16607	COVER PLATE				
19	2	A16608	COVER, HEAD				
20	2	A18601	CONROD				
21	1	A18602	TOL. RING				
22	2	A18603	TOL. RING				
23	4	A19005	SCREW				
24	2	A19007	PLATE SCREW				
25	2	A19008	SET SCREW				
26	4	A19009A	SCREW				
27	16	A19013	SCREW				
28	1	A19017	SCREW				
29	4	A19024	SCREW				
30	8	A19605	HEAD BOLT				
31	1	A19620	SPACER				
32	1	A19635	SHAFT EXT.				

ALTERNATE PARTS LIST	
A04601	DIAPHRAGM - TEFLON/EPDM
A04611	DIAPHRAGM - 3 PLY TEFLON

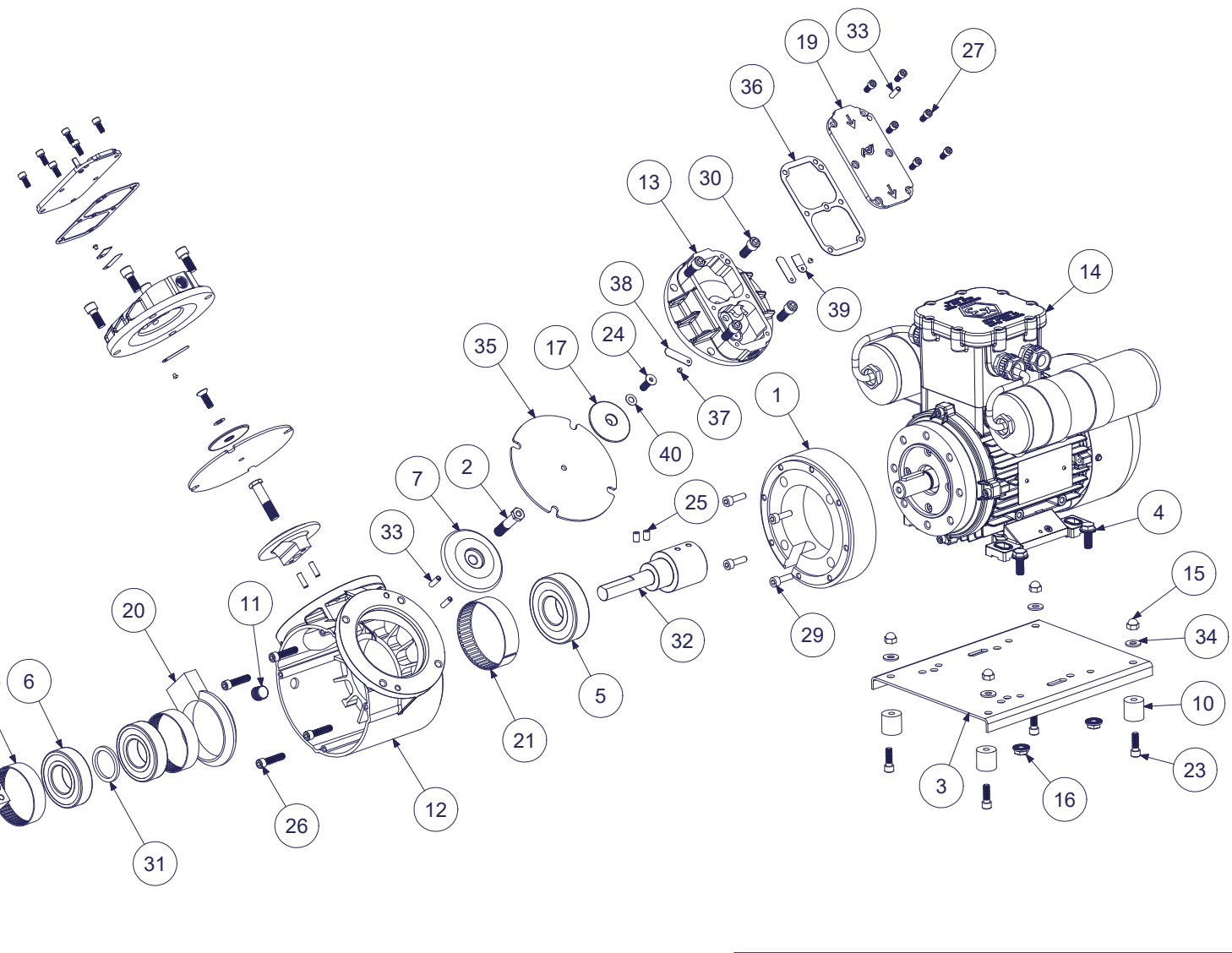
***RECOMMENDED SPARE PARTS KITS**


DIAPHRAGM KITS	
11605	TEFLON/EPDM
11611	3-PLY TEFLON

INCLUDES ITEMS 35-40

ALTERNATE MOTORS

- A13150A .55kW 50Hz 230V 1Ph
- A13148 .55kW 60Hz 230V 1Ph
- A13143 .75kW 50Hz 230/400V 3Ph
- .90kW 60Hz 265/460V 3Ph



 AIR DIMENSIONS INC. DEERFIELD BEACH, FL. USA 33442 WWW.AIRDIMENSIONS.COM		TITLE H-Series Double Head ATEX Pump		
		DATE 9/8/2022	DWG NO H302-Fx-Qxx	MODEL # H302-Fx-Qxx
APPROVED BY FDM		DATE 09/22 (2246)		