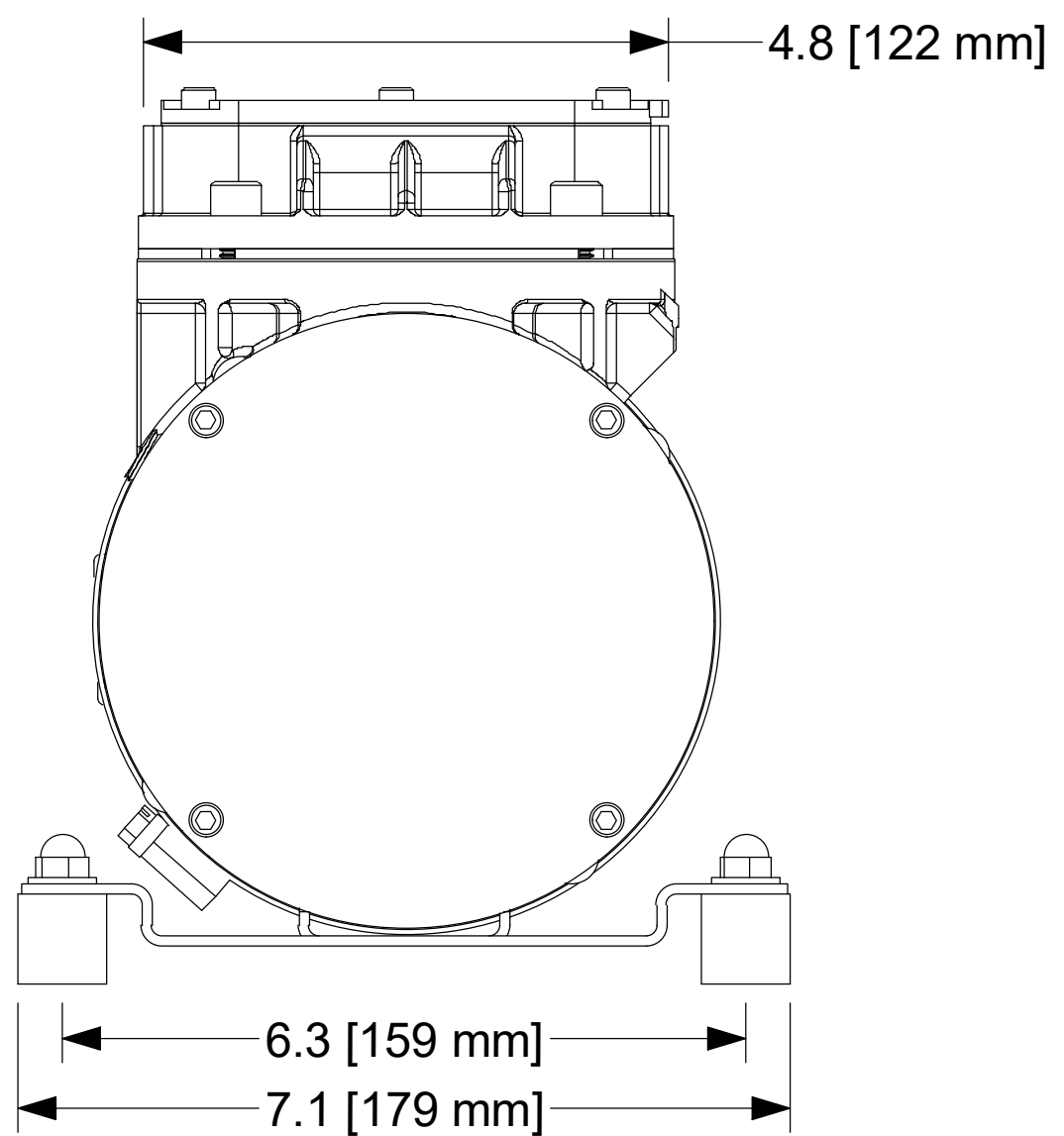


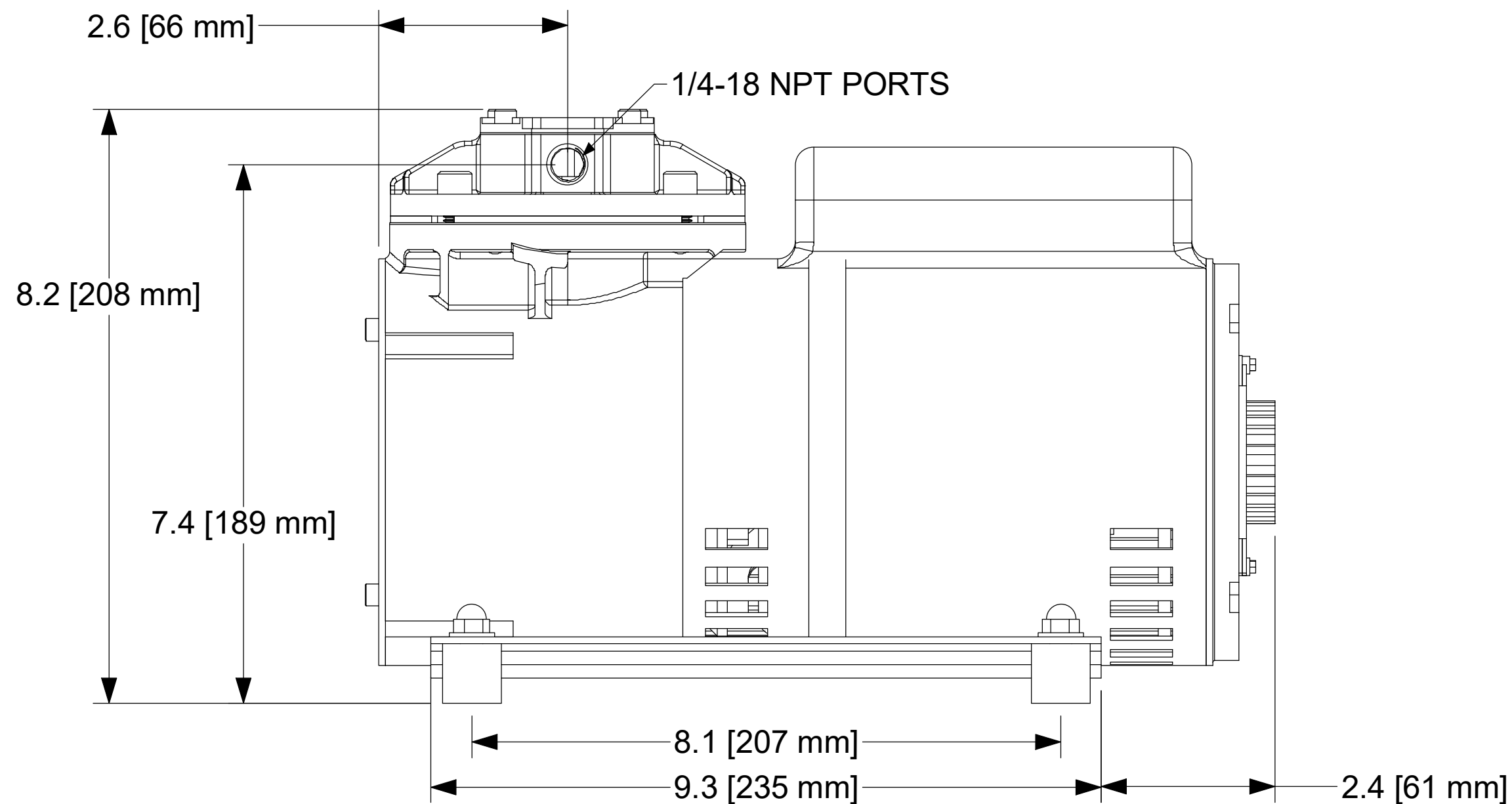
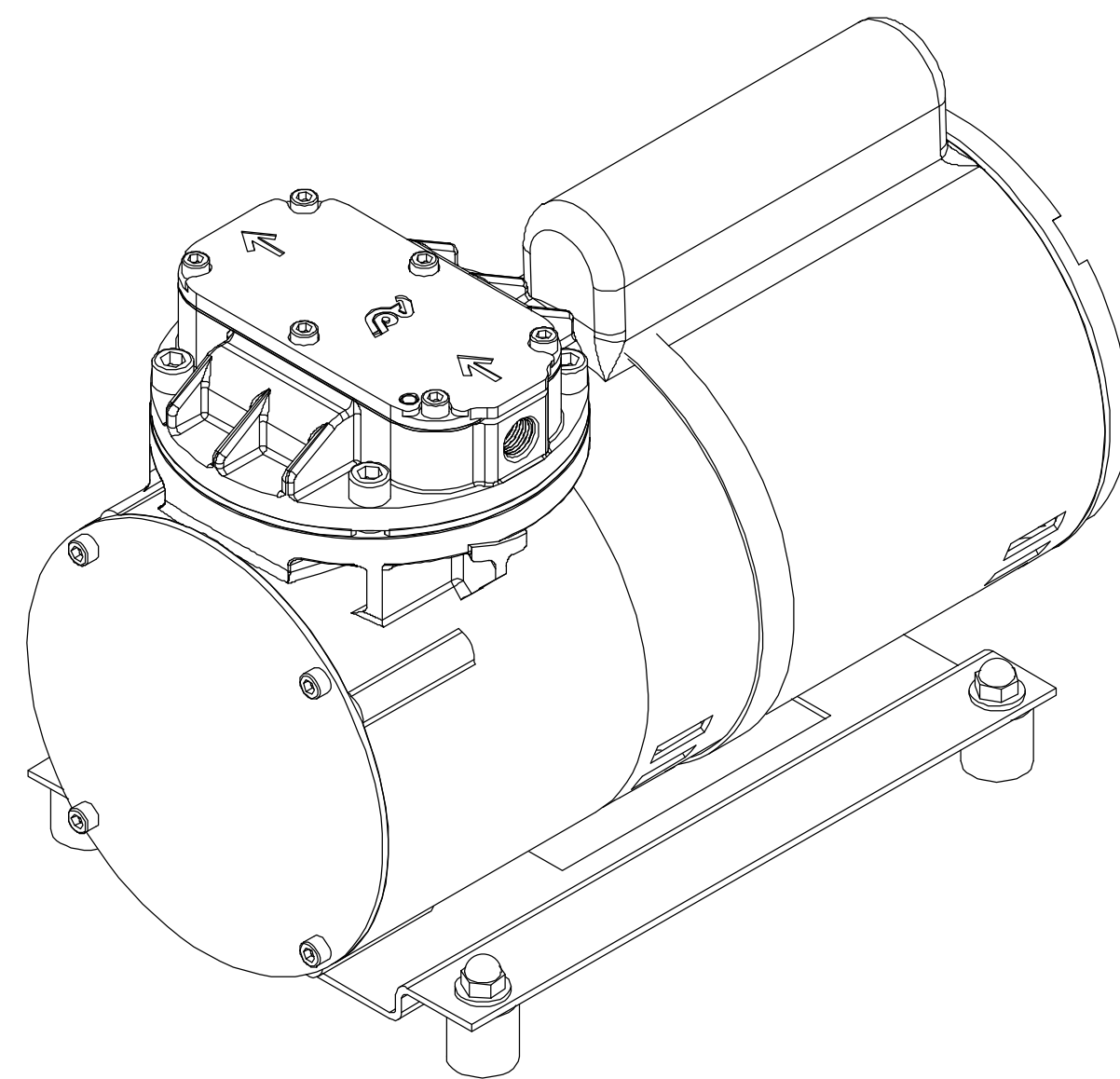
12.6 [319 mm]



4.8 [122 mm]

6.3 [159 mm]

7.1 [179 mm]



2.6 [66 mm]

8.2 [208 mm]

7.4 [189 mm]

1/4-18 NPT PORTS

8.1 [207 mm]

9.3 [235 mm]

2.4 [61 mm]



AIR DIMENSIONS INC.
DEERFIELD BEACH, FL. USA 33442
WWW.AIRDIMENSIONS.COM

DATE 1/10/2011	TITLE H-Series Single Head Pump	
APPROVED BY FDM	DWG NO H301-Fx-AC5	MODEL # H301-Fx-AC5

06/21 (2186)

SHEET 1 OF 2