

Parts List

| ITEM | QTY | PART # | DESCRIPTION |
|------|-----|---------|---------------------|
| 1 | 2 | A01080 | ADAPTOR |
| 2 | 1 | A02001 | BASE |
| 3 | 3 | A02011 | BEARING |
| 4 | 1 | A02033 | BUSHING |
| 5 | 2 | A02082 | VALVEBODY |
| 6 | 1 | A03003 | CLAMP |
| 7 | 2 | A03080 | CAP |
| 8 | 1 | A05002 | ECCENTRIC |
| 9 | 4 | A06001 | FOOT |
| 10 | 1 | A08001 | HOUSING |
| 11 | 2 | A08082 | HEAD |
| 12 | 1 | A13001 | MOTOR |
| 13 | 4 | A14001 | CAP NUT |
| 14 | 1 | A16008 | 2nd STAGE |
| 15 | 2 | A16009 | PLATE, COVER |
| 16 | 2 | A18001 | CONN. ROD |
| 17 | 3 | A18002 | TOLERANCE RING |
| 18 | 4 | A19005 | SCREW |
| 19 | 1 | A19008 | SET SCREW |
| 20 | 1 | A19010 | SET SCREW |
| 21 | 4 | A19031 | 2nd STAGE SCREW |
| 22 | 3 | A19050 | SPRING PIN |
| 23 | 8 | A19317 | SCREW |
| 24 | 4 | A23004 | WASHER |
| 25 | 4 | *A04004 | DISC-VALVE |
| 26 | 2 | *A04005 | ENCAPSULATED DIAPH. |
| 27 | 4 | *A15002 | O-RING |

***RECOMMENDED SPARE PARTS KIT**

| DIAPHRAGM KIT | |
|---------------|-------------------|
| 11018 | ENCAPSULATED DIA. |

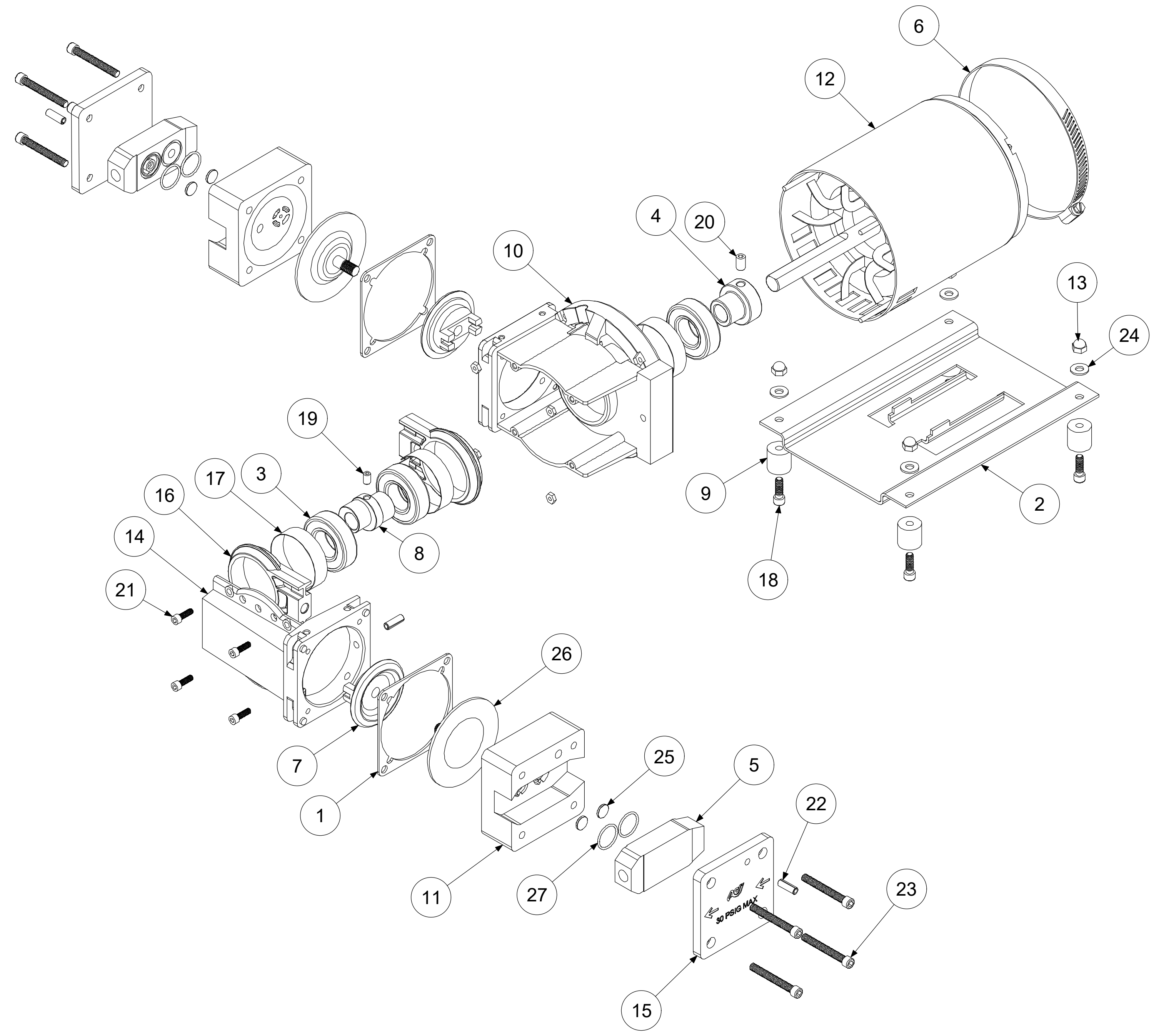
INCLUDES ITEMS 25-27


| ECCENTRIC | CONNECTING ROD |
|--------------|----------------|
| .275 | A18001-275 |
| .250 | A18001-250 |
| .060 to .222 | A18001 |

ADC-119 07/23/20

| POWER CORD OPTIONS | |
|--------------------|------------------|
| PART # | DESCRIPTION |
| A03019 | HUBBLE CONNECTOR |
| A03045 | POWER CORD, 115V |
| A03046 | POWER CORD, 230V |

MOTOR DESCRIPTION:
A13001 1/8HP 110-115/220-230V 50/60Hz 1Ph



| | | |
|---|---------------------------|--------------|
|  AIR DIMENSIONS INC. DEERFIELD BEACH, FL. USA 33442 WWW.AIRDIMENSIONS.COM | | |
| DATE | TITLE | |
| 1/26/2015 | R-Series Teflon Head Pump | |
| APPROVED BY | DWG NO | MODEL # |
| FDM | Rxx2-TE-AC5 | Rxx2-TE-AC5 |
| | | SHEET 2 OF 2 |

06/21 (2184)