

		AIR DIMENSIONS INC. DEERFIELD BEACH, FL. USA 33442 WWW.AIRDIMENSIONS.COM	
		DATE 10/19/2022	TITLE H-Series Single Head ATEX Pump
APPROVED BY FDM	DWG NO H301-Fx-Qxx	MODEL # H301-Fx-Qxx	SHEET 1 OF 2

10/22 (2268)

Parts List

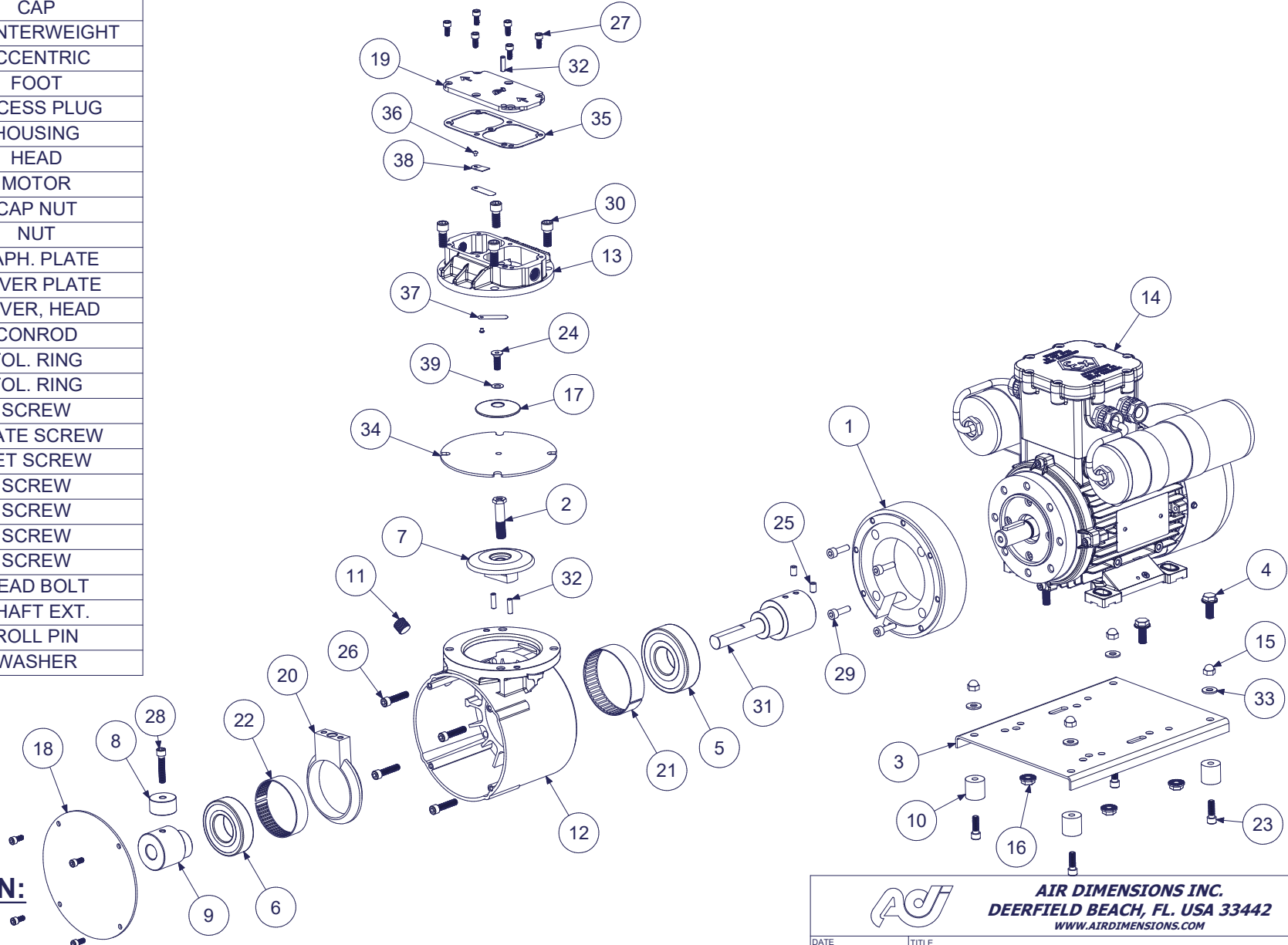
ITEM	QTY	PART #	DESCRIPTION
1	1	A01645	ADAPTOR PLATE
2	1	A02017	ROD BOLT
3	1	A02030	BASE
4	4	A02038	BOLT-MOTOR
5	1	A02610	BEARING
6	1	A02611	BEARING
7	1	A03601	CAP
8	1	A03602	COUNTERWEIGHT
9	1	A05601A	ECCENTRIC
10	4	A06001	FOOT
11	1	A06606	ACCESS PLUG
12	1	A08602	HOUSING
13	1	A08603	HEAD
14	1	A13150A	MOTOR
15	4	A14001	CAP NUT
16	4	A14009	NUT
17	1	A16601	DIAPH. PLATE
18	1	A16607	COVER PLATE
19	1	A16608	COVER, HEAD
20	1	A18601	CONROD
21	1	A18602	TOL. RING
22	1	A18603	TOL. RING
23	4	A19005	SCREW
24	1	A19007	PLATE SCREW
25	2	A19008	SET SCREW
26	4	A19009A	SCREW
27	10	A19013	SCREW
28	1	A19017	SCREW
29	4	A19024	SCREW
30	4	A19605	HEAD BOLT
31	1	A19635	SHAFT EXT.
32	3	A19651	ROLL PIN
33	4	A23004	WASHER

Parts List

ITEM	QTY	PART #	DESCRIPTION
34	1	*A04601	DIAPHRAGM
35	1	*A07601	GASKET
36	2	*A22002	4-40 SCREW
37	2	*A22601	VALVE
38	1	*A22605	VALVE STOP
39	1	*A23001	WASHER

ALTERNATE PARTS LIST	
A04601	DIAPHRAGM - TEFLON/EPDM
A04611	DIAPHRAGM - 3 PLY TEFLON

ADC-194 01/29/21



*RECOMMENDED SPARE PARTS KITS

DIAPHRAGM KITS
11605 TEFLON/EPDM
11611 3-PLY TEFLON

INCLUDES ITEMS 34-39

MOTOR DESCRIPTION:

A13150A .55 Kw 230V 50Hz 1 Ph
 A13148 .55Kw 230V 60Hz 1 Ph
 A13143 .75 Kw 230/400V 50Hz 3Ph
 .9 Kw 265/460V 60Hz 3Ph



AIR DIMENSIONS INC.
 DEERFIELD BEACH, FL. USA 33442
 WWW.AIRDIMENSIONS.COM

DATE 10/19/2022	TITLE H-Series Single Head ATEX Pump
APPROVED BY FDM	DWG NO H301-Fx-Qxx
	MODEL # H301-Fx-Qxx
	SHEET 2 OF 2

10/22 (2268)