

Parts List			
ITEM	QTY	PART #	DESCRIPTION
1	1	A02411	BEARING
2	1	A02441A	BASE
3	1	A02465	VALVEBODY, 316ss
4	1	A03461	CAP
5	1	A05401	ECCENTRIC
6	1	A05405	ENCLOSURE
7	4	A06401A	FOOT
8	1	A06403	FAN
9	1	A06444	WHITE FAN
10	1	A07020	GROMMET
11	1	A08403	HEAD, 316ss
12	1	A08461	HOUSING
13	1	A13401	MOTOR
14	1	A14401	COUNTERWEIGHT
15	1	A16407	COVER PLATE
16	1	A16461	PLATE, 316ss
17	1	A18402	TOLERANCE RING
18	1	A18461	CONNECTING ROD
19	1	A19013	SCREW
20	2	A19021	SCREW
21	4	A19309	SCREW
22	2	A19419	SCREW
23	1	A19467	PLATE SCREW, 316ss
24	4	A23402	LOCK WASHER
25	1	*A04461	DIAPHRAGM, TEFLON
26	1	*A07411	GASKET, TEFLON
27	1	*A23461	WASHER

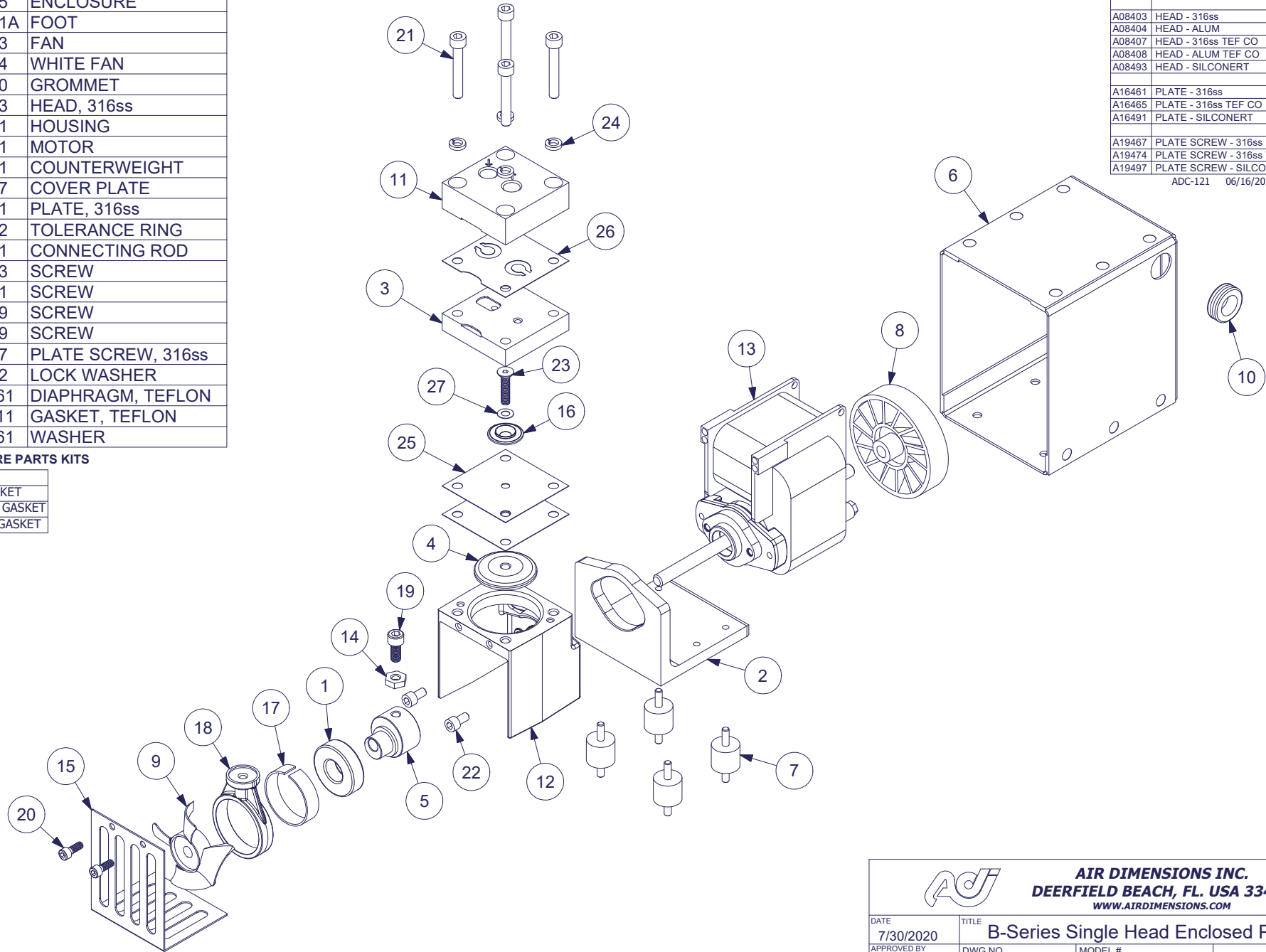
***RECOMMENDED SPARE PARTS KITS**


DIAPHRAGM KITS	
11403	VITON DIAPH/GASKET
11409	VITON DIAPH/TEF GASKET
11461	2-PLY TEF DIAPH/GASKET

INCLUDES ITEMS 25-27

ALTERNATE PARTS LIST	
A02460	VALVEBODY - ALUM TEF CO
A02465	VALVEBODY - 316ss
A02466	VALVEBODY - ALUM
A02469	VALVEBODY - 316ss TEF CO
A02495	VALVEBODY - SILCONERT
A04403	DIAPHRAGM - VITON
A04461	DIAPHRAGM - 2-PLY TEFLON
A07403	GASKET - VITON
A07411	GASKET - TEFLON
A08403	HEAD - 316ss
A08404	HEAD - ALUM
A08407	HEAD - 316ss TEF CO
A08408	HEAD - ALUM TEF CO
A08493	HEAD - SILCONERT
A16461	PLATE - 316ss
A16465	PLATE - 316ss TEF CO
A16491	PLATE - SILCONERT
A19467	PLATE SCREW - 316ss
A19474	PLATE SCREW - 316ss TEF CO
A19497	PLATE SCREW - SILCONERT

ADC-121 06/16/20



 AIR DIMENSIONS INC. DEERFIELD BEACH, FL. USA 33442 WWW.AIRDIMENSIONS.COM	
DATE 7/30/2020	TITLE B-Series Single Head Enclosed Pump
APPROVED BY TG	DWG NO Bxx1-xx-AC5-C
	MODEL # Bxx1-xx-AC5-C
SHEET 2 OF 2	

07/20 (2133)